

4

3

2

1

THIS DRAWING IS UNPUBLISHED.

RELEASED FOR PUBLICATION

20

© COPYRIGHT 20 BY -

ALL RIGHTS RESERVED.

REVISIONS

P	LTR	DESCRIPTION	DATE	DWN	APVD
A		INITIAL RELEASE	18DEC2014	DW	CW
B		ECR-15-013750	21SEP2015	DW	CW
B1		ECR-15-016224	05NOV2015	DW	CW
B2		ECR-16-018198	09JAN2017	QY	CW

M3 SCREW,  
RECOMMENDED  
TIGHTENING  
TORQUE 0.5Nm  
M3螺丝, 推荐锁紧力矩0.5Nm


NOTES:

1. TECHNICAL CHARACTERISTICS:  
INSULATION MATERIAL: PC  
RATED VOLTAGE: 250 V  
RATED CURRENT: 10 A  
INSULATION RESISTANCE:  $\geq 400M\Omega$   
RATED IMPULSE VOLTAGE: 2.5 KV  
POLLUTION DEGREE: 3  
FLAMMABILITY: UL94V-0  
MATING CYCLES: 500 CYCLES  
WIRE RANGE: 0.5-2.5 mm<sup>2</sup> (20-14 AWG)  
CONTACT FINISH: SILVER PLATED  
CONTACT TYPE: SCREW CONTACT

注释:

1. 技术参数:  
绝缘材料: PC  
额定电压: 250V  
额定电流: 10A  
绝缘电阻:  $\geq 400M\Omega$   
额定脉冲电压: 2.5 KV  
污染等级: 3  
阻燃等级: UL94V-0  
插拔次数: 500 次  
接线范围: 0.5-2.5 mm<sup>2</sup> (20-14 AWG)  
端子表面处理: 镀银  
接线类型: 螺丝连接

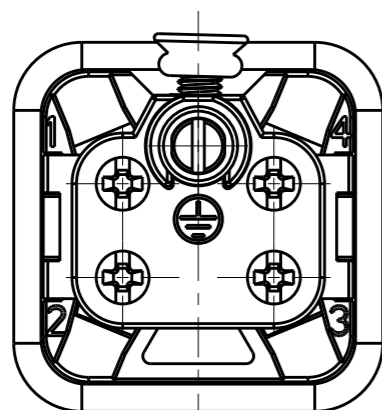
TYPE-1:T2010042101-000 TE LOGO  
类型-1:T2010042101-000 TE LOGO

THIS DRAWING IS A CONTROLLED DOCUMENT.		DWN DAVID WANG 18DEC2014	 TE Connectivity	
DIMENSIONS: mm		CHK CHRIS WANG 18DEC2014		
TOLERANCES UNLESS OTHERWISE SPECIFIED:		APVD XU XIANG 18DEC2014	NAME HA-004-M	
0 PLC ±-		PRODUCT SPEC 108-137045	SIZE A300779	
1 PLC ±-		APPLICATION SPEC 114-137045	CAGE CODE C-T2010042101000	
2 PLC ±-		WEIGHT -	DRAWING NO -	
3 PLC ±-		Customer Drawing	RESTRICTED TO -	
4 PLC ±-			SCALE 2:1	
ANGLES ±-			SHEET 1 OF 2	
FINISH -			REV B2	
-				

1470-19 (3/13)

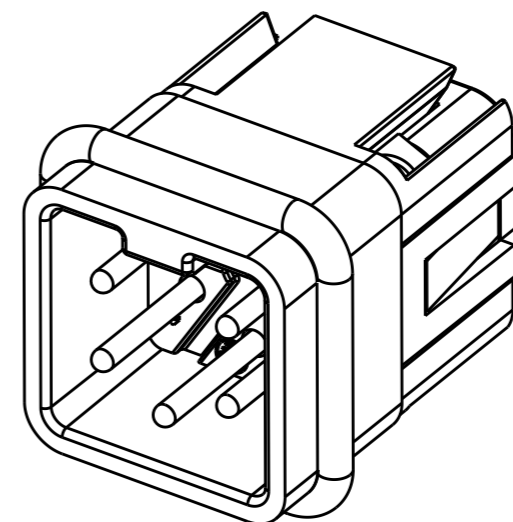
REVISIONS

P	LTR	DESCRIPTION	DATE	DWN	APVD
-	-	SEE SHEET 1	-	-	-

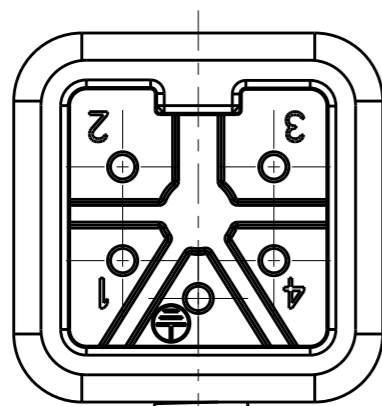
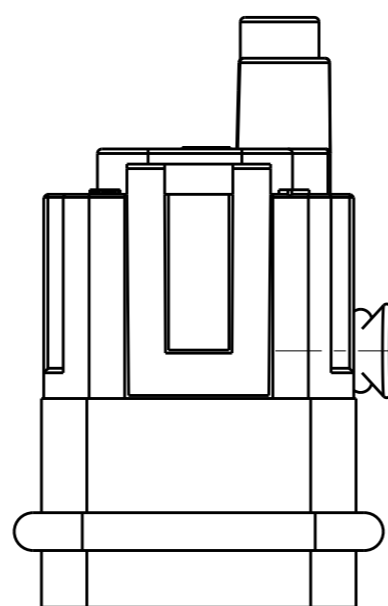
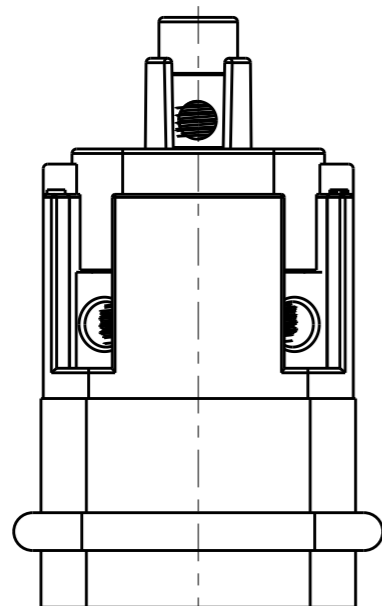


ALL DIMENSIONS ARE SAME AS TYPE 1,  
EXCEPT THOSE DEFINED IN THIS TYPE.  
除了在本类型中定义的尺寸外, 其它尺寸同类型 1


NOTES:  
SEE SHEET 1  
注释:  
见页 1



TYPE-2: T2010042101-001 STAINLESS STEEL SCREW, NO LOGO  
类型-2: T2010042101-001 不锈钢螺丝, 无LOGO



T2010042101-001	HA-004-M	HA-004 MALE INSERT, SIDE OUTLET, TOP LOCK SCREW, STAINLESS STEEL SCREW, NO LOGO HA-004公插, 侧面出线顶部锁螺丝, 不锈钢螺丝, 无LOGO	TYPE-2 类型-2
T2010042101-000	HA-004-M	HA-004 MALE INSERT, SIDE OUTLET, TOP LOCK SCREW HA-004公插, 侧面出线顶部锁螺丝	TYPE-1 类型-1
PART NUMBER 料号	PART DESCRIPTION 描述		TYPE 类型

THIS DRAWING IS A CONTROLLED DOCUMENT.		DWN 18DEC2014 DAVID WANG	 TE Connectivity	
DIMENSIONS: mm		CHK 18DEC2014 CHRIS WANG		
TOLERANCES UNLESS OTHERWISE SPECIFIED:		APVD 18DEC2014 XU XIANG	NAME HA-004-M	
0 PLC ±-		PRODUCT SPEC 108-137045	SIZE CAGE CODE DRAWING NO RESTRICTED TO	
1 PLC ±-		APPLICATION SPEC 114-137045	A300779 © T2010042101000	
2 PLC ±-		WEIGHT -	SCALE 2:1 SHEET 2 OF 2 REV B2	
3 PLC ±-		Customer Drawing		
4 PLC ±-				
ANGLES ±-				
FINISH				
-				
-				